



WISCONSIN MOTORS

Your Heavy-Duty Power Source

CONTINENTAL ADVANTAGE

EPA Certified for stationary applications

Fuel : Well head NG to pipeline quality NG

Four Cylinder OHV

Liquid-Cooled

Stellite exhaust valves

Drive-by-wire throttle control

On-Board electronic engine management and diagnostics

Precise engine speed control

Optional control panel



Leading the way in industrial engine innovation

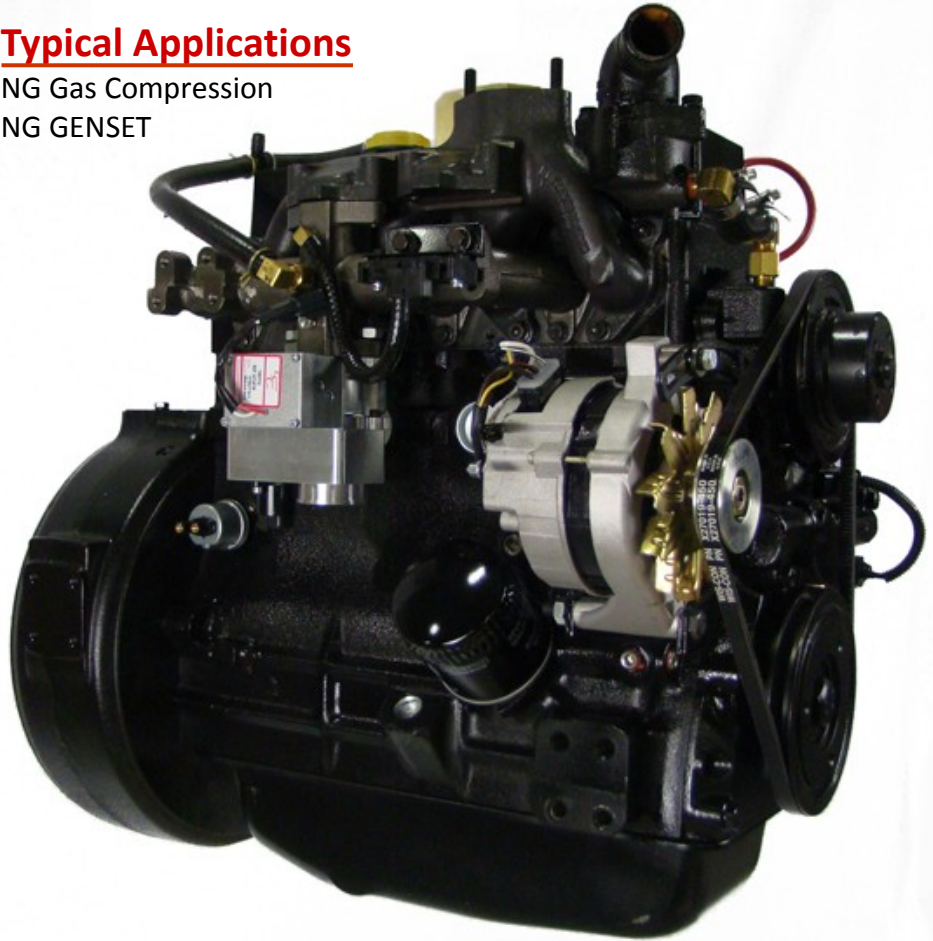
Continental TM27

54 HP Natural Gas Configuration - Constant Speed

Typical Applications

NG Gas Compression

NG GENSET



Your Heavy-Duty Power Source

WORLDWIDE PARTS AND SERVICE

We back our engines with a world wide service network. Experienced Continental representatives are always ready to meet your needs.

Industrial by Design

EPA certified engines



WISCONSIN MOTORS

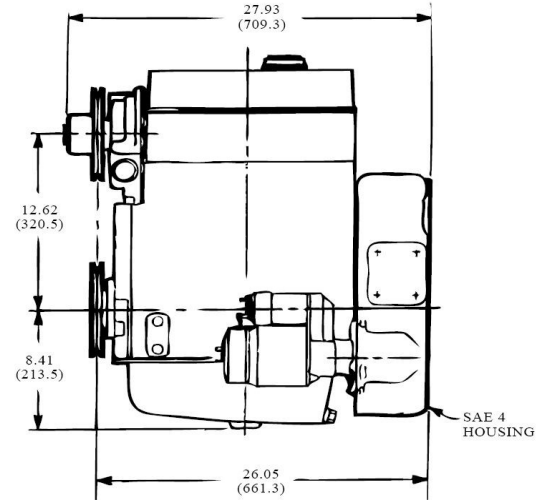
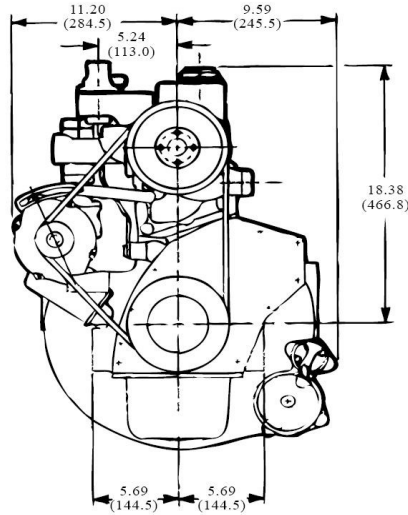
Your Heavy-Duty Power Source

Continental **TM27**

Performance Specifications

Standard Features

- Four cylinder OHV
- Liquid-cooled
- Heavy-duty cast iron block & cylinder head
- Five main bearings
- Stellite exhaust valves
- Closed-loop air/fuel ratio control
- Precise engine speed Control
- On-board electronic engine management and diagnostics
- Pre-catalyst and Post-catalyst O₂ sensors
- Low oil pressure & high coolant temp. shutdown protection
- SAE #4 flywheel housing (Standard)
- High volume oil pump
- Full-flow oil filter
- 63 amp. alternator with internal regulator
- Catalytic converter
- Primary NG fuel regulator



Power Output : Natural Gas

RPM	Power		Torque
	HP	KW	Ft-lb
1400	34.8	25.9	130.4
1600	39.5	29.5	129.7
1800	43.3	32.3	126.3
2000	48.3	36.0	126.8
2200	51.4	38.4	122.8
2400	53.6	40.0	117.4

Bore — 3.58 in. (91 mm)
Stroke — 4.06 in. (103.2 mm)
Piston Displacement—164.7 cu. in.

POWER OUTPUT

Maximum dynamometer gross brake horsepower of the basic engine corrected to a pressure reading of 29.3 in. Hg (99 kPa) dry barometer and temperature of 77°F(25°C) when tested in accordance with SAE Test Code J1995 (June 95). Engine output can be demonstrated within 5% at the factory under standard rating conditions. Power will decrease 3% for each 1,000 ft.(305 m) above 500 feet (152.4 m) and 1% for each 10°F (12.2°C) above standard temperature of 77°F (25°C). For continuous operation, applications should be limited to 80% of power shown.

EPA certified



The **Continental TM27** is EPA certified(50 states). Wisconsin Motors is committed to a cleaner tomorrow beginning today.

Wisconsin Motors, LLC
 2021 MacArthur Road
 Waukesha, WI 53188
 1-800-932-2858

www.wisconsinmotors.com