

---

## Manifolds By Engine Model

MODEL	DESCRIPTION	PART NO.
ADH, AE, AEH, AEHS	Intake manifold .....	LD232
AFH, AGH	Intake manifold .....	LD230
AHH	Intake manifold .....	LD231
AENL	Intake manifold .....	LC269A
AGND	Intake manifold .....	LC276
TRA10D, TR10D, TRA12D	Intake manifold .....	LC281
TE, TF, THD, TJD	Exhaust manifold .....	LD242
TE, TF, THD, TJD	Inlet manifold .....	LC266A
VE4D, VF4D	Upper branch .....	LD227D
VE4D, VF4D	Lower branch .....	LD228S1
VE4D, VF4D	Inlet manifold (optional) .....	LC261A
VE4D, VF4D	Exhaust manifold (optional) (obsolete) .....	LD226
VG4D	Inlet and exhaust (vertical) open engine .....	LD240
VG4D	Inlet and exhaust (horizontal) .....	LD240C
VG4D	Manifold (power unit) .....	LD240-1
VH4D	Intake and exhaust (vertical) open engine .....	LD253
VH4D	Intake and exhaust (horizontal) .....	LD253-14
VH4D	Manifold for power unit .....	LD253-1
V460D, V461D, V465D	Manifold, lower inlet .....	LD257CS1
V460D, V461D, V465D	Manifold, upper exhaust .....	LD258C
W2-1230, W2-1235, W2-1250	Intake manifold .....	LCA100 (LC284)
W2-1230, W2-1235, W2-1250	Single outlet exhaust .....	LD266
W2-1230, W2-1235, W2-1250	Single outlet exhaust branch .....	LD267
W2-880	Intake manifold .....	LC285
W4-1770	Intake and exhaust (vertical) .....	LD253L
W4-1770	Intake and exhaust (horizontal) .....	LD253L6

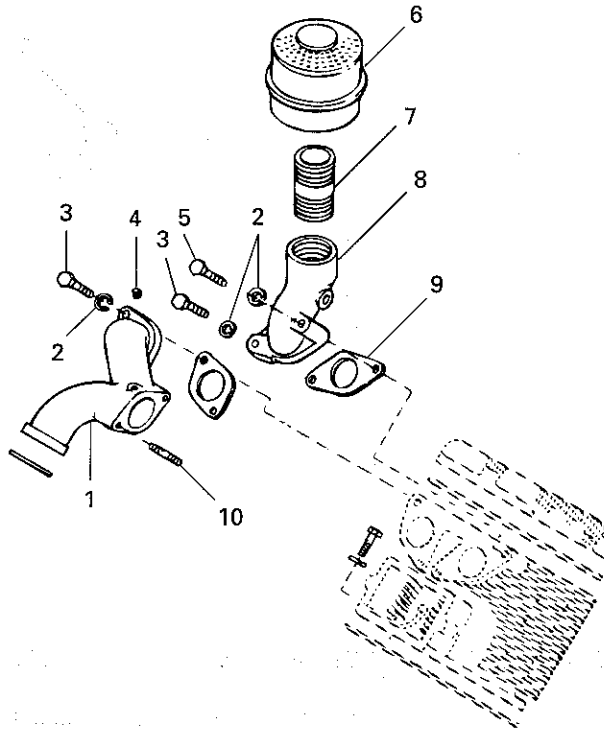
---

## Manifolds By Part Number

PART NO.	DESCRIPTION	MODEL
LCA100	Intake manifold .....	W2-1230, W2-1235, W2-1250
LD266	Single outlet exhaust .....	W2-1230, W2-1235, W2-1250
LD267	Single outlet exhaust branch .....	W2-1230, W2-1235, W2-1250
LC269A	Intake manifold .....	AENL
LC276	Intake manifold .....	AGND
LC281	Intake manifold .....	TRA10D, TR10D, TRA12D
LD230	Intake manifold .....	AFH, AGH
LD231	Intake manifold .....	AHH
LD232	Intake manifold .....	ADH, AEH, AEHS, AE
LC261A	Intake manifold (optional) .....	VE4D, VF4D
LD226	Exhaust manifold, obsolete (optional) .....	VE4D, VF4D
LD227D	Upper branch .....	VE4D, VF4D
LD228S1	Lower branch .....	VE4D, VF4D
LC266A	Inlet manifold .....	TE, TF, THD, TJD
LD242	Exhaust manifold .....	TE, TF, THD, TJD
LC285	Intake manifold .....	W2-880
LD240	Inlet and exhaust (vertical) open engine .....	VG4D
LD240C	Inlet and exhaust (horizontal) open engine .....	VG4D
LD240-1	Inlet and exhaust power unit .....	VG4D
LD253	Inlet and exhaust (vertical) open engine .....	VH4D
LD253-14	Inlet and exhaust (horizontal) open engine .....	VH4D
LD253-1	Inlet and exhaust power unit .....	VH4D
LD253L	Inlet and exhaust (vertical) .....	W4-1770
LD253L6	Inlet and exhaust (horizontal) .....	W4-1770
LD257CS1	Manifold lower inlet .....	V460D, V461D, V465D
LD258C	Manifold upper exhaust .....	V460D, V461D, V465D

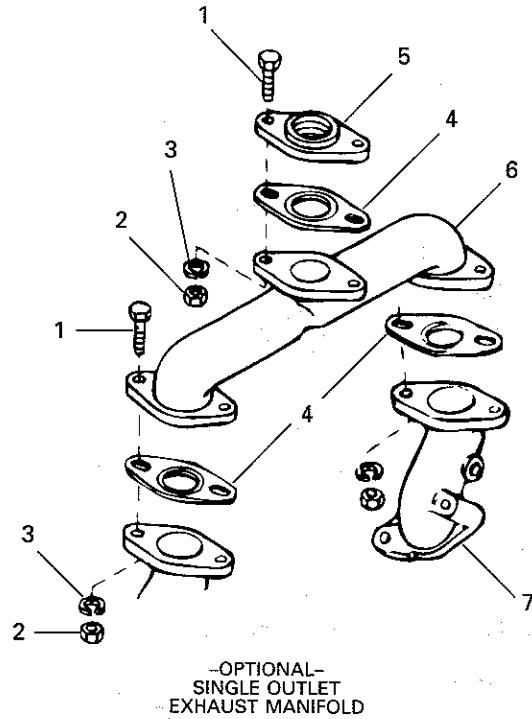
## LCA100 Manifold

USE WITH MODELS W2-1230, W2-1235, W2-1250



## LD266, LD267 Optional Manifolds

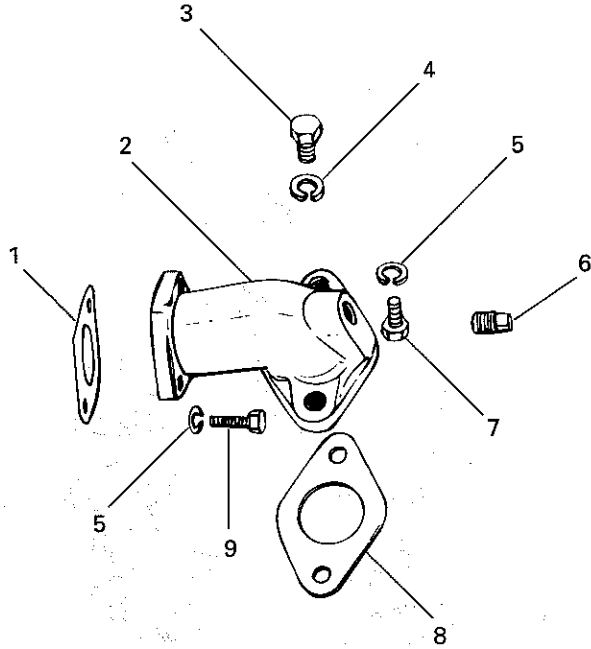
USE WITH MODELS W2-1230, W2-1235, W2-1250



ITEM	PART NO.	DESCRIPTION	QTY	ITEM	PART NO.	DESCRIPTION	QTY
1	LCA100	Intake assembly manifold (includes 4, 11; includes LC284) .....	1	1	XD179	Screw, 3/8"-16 thread x 1-3/8" long .....	6
2	PE4	Lock washer, 5/16" .....	8	2	PD79	Nut, 3/8"-16 thread .....	6
3	XD19	Screw, 5/16"-18 thread x 1-1/4" long ....	6	3	PE5	Lock washer, 3/8" .....	6
4	PF18	Plug, 1/8" pipe .....	1	4	QD727	Exhaust flange gasket .....	3
5	XD140	Screw, 5/16"-18 thread x 2-1/4" long ....	2	5	LF130	Exhaust flange, 1-1/4" pipe tap .....	1
6	WD66	Exhaust muffler .....	1	6	LD267	Exhaust manifold branch .....	1
7	LJ280	Exhaust muffler pipe, 1-1/4" w.i. nipple, 2-1/4" long ...	1	7	LD266	Exhaust manifold .....	2
8	LD264	Exhaust manifold .....	2				
9	QB87	Port gasket .....	2				
10	PC549	Stud, 5/16"-18, 24 thread x 1-5/16" long .....	2				
—	PC112	Stud, 1-7/16" long (W2-1250) ...	1				

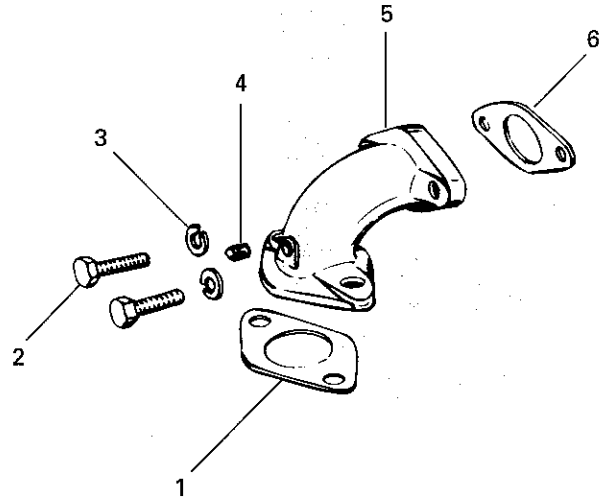
### LC281 Manifold

USE WITH MODELS TRA10D, TR10D, TRA12D



### LC269A, LC276 Manifolds

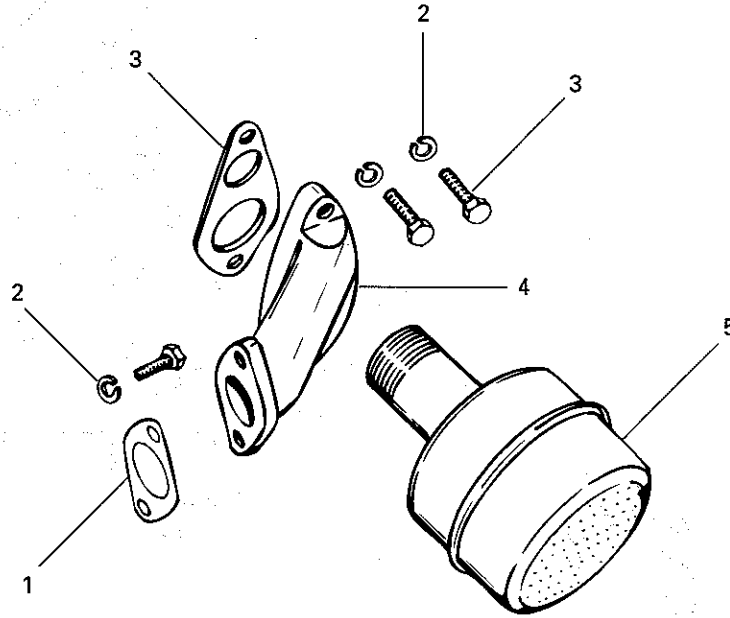
USE WITH MODELS AENL, AGND



ITEM	PART NO.	DESCRIPTION	QTY	ITEM	PART NO.	DESCRIPTION	QTY
1	QC53	Manifold flange gasket (TRA10D, TR10D) .....	1	1	QC71	Carburetor flange gasket .....	1
—	QC53	Carburetor flange (TRA12D) ....	1	—	QC71A	Manifold to cylinder block gasket (AGND) (replaces QC58A) .....	1
2	LC281	Intake manifold, (TRA10D, TR10D, for TRA12D with Zenith carburetor) .....	1	2	XD7	Screw, 1/4"-20 thread x 1" long (AENL) .....	2
3	XD16	Screw, 5/16"-18 thread x 7/8" long .....	2	—	XD16	Screw, 5/16"-18 thread x 7/8" long (AGND) .....	4
4	PE4	Lock washer, 5/16" (TRA10D, TR10D) .....	5	3	PE3	Lock washer, 1/4" (AENL) .....	2
5	PE3	Lock washer (TRA10D, TR10D) .....	2	—	PE4	Lock washer, 5/16" (AGND) .....	2
6	XD5	Screw, 1/4"-20 thread x 5/8" long (UC208) .....	3	4	XK1	Pipe plug, 1/8" square .....	1
—	XD8	Screw, 1/4"-20 thread x 1-1/4" long (UC184) (obsolete) .....	3	5	LC269A	Intake manifold (AENL) .....	1
7	PB160	Screw, 1/4"-28 thread x 1/2" long (TRA10D, TR10D) .....	1	—	LC276	Intake manifold (AGND) .....	1
8	QC71	Carburetor flange gasket (TRA10D, TR10D, for TRA12D with Zenith carburetor) .....	1	6	QB77	Intake manifold gasket .....	1
9	XA36	Screw, 1/4"-20 thread x 3/4" long .....	1				

## LD230, LD231, LD232 Manifolds

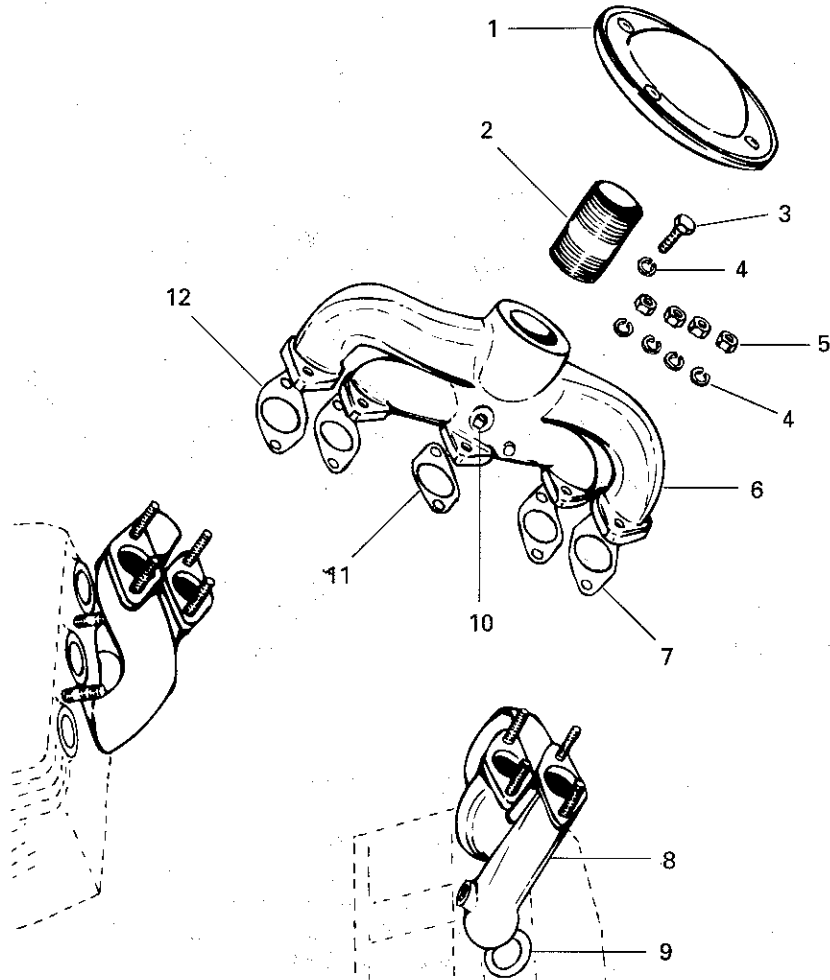
USE WITH MODELS ADH, AEH, AEHS, AGH, AFH, AHH



ITEM	PART NO.	DESCRIPTION	QTY
1	QC71	Carburetor flange gasket (replaces QC58) .....	1
2	PE4	Lock washer, 5/16" AEH, ADH, AEHS) .....	8
—	PE5	Lock washer, 3/8" (AHH, AFH, AGH) .....	6
3	QC55A	Manifold gasket (AFH, AGH, AHH) (replaces QC55) .....	1
—	QC56B	Manifold gasket (ADH, AEH, AEHS) (replaces QC56A) .....	1
4	LD230	Manifold (AFH, AGH) .....	1
—	LD231	Manifold (AHH) .....	1
—	LD232	Manifold (ADH, AEH, AEHS, AE) (engines beginning with serial no. 144062) .....	1
—	LD197C	Manifold (ADH, AEH, AEHS, AE) (for engine serial no. 144061 and below) (obsolete) .....	1
5	WD66AS1	Muffler (ADH, AEH) (includes LJ158) (replaces WD35, WD39) .....	1
—	WD66S1	Muffler (AFH, AGH, AHH) .....	1

## LD227D, LD228S1 Manifolds

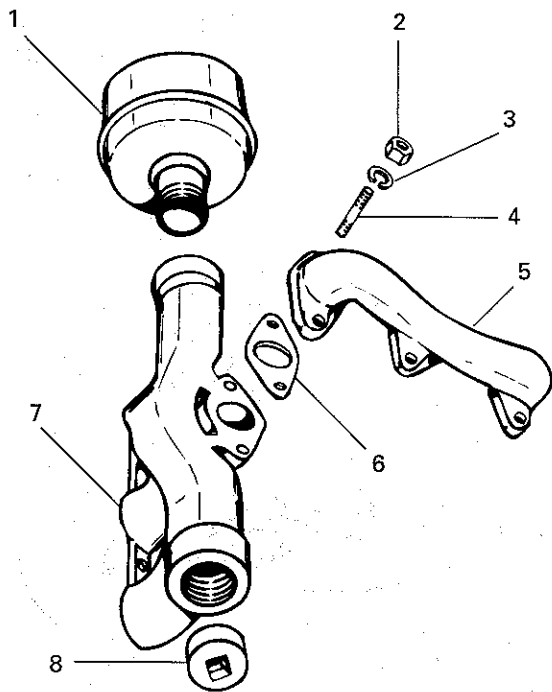
USE WITH MODELS VE4D, VF4D



ITEM	PART NO.	DESCRIPTION	QTY	ITEM	PART NO.	DESCRIPTION	QTY
1	WD98	Muffler, standard (for 1-1/4" pipe tap) (replaces WD26A) .....	1	8	LD288S1	Lower branch manifold assembly (includes LD228, PC171, XD4) (optional manifold with double exhaust outlet) (furnished as standard equip- ment on engines to and including serial no. 85815) .....	2
2	LJ184	Nipple, 1-1/4" x 2-1/2" long .....	1	9	QB75	Gasket .....	6
3	XD17	Screw, 5/16"-18 thread x 1" long .....	2	10	XK1	Plug, 1/8" square .....	2
4	PE4	Lock washer, 5/16" .....	8	11	QC71A	Carburetor flange gasket (replaces QC58A) .....	3
5	PD205	Seeze-proof nut, 5/16"-24 thread .....	8	12	QB79	Inlet manifold gasket, upper to lower branch .....	2
6	LD227D	Upper branch manifold (replaces LD227) .....	1				
7	QB78	Exhaust manifold gasket (upper to lower branch) .....	2				

## LC261A, LD226 Optional Manifolds

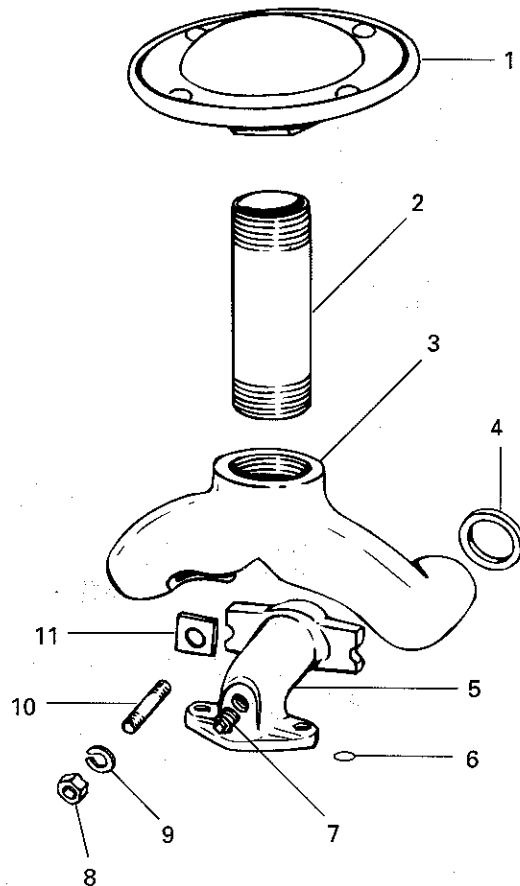
USE WITH MODELS VE4D, VF4D



OPTIONAL MANIFOLD

## LC266A, LD242 Manifolds

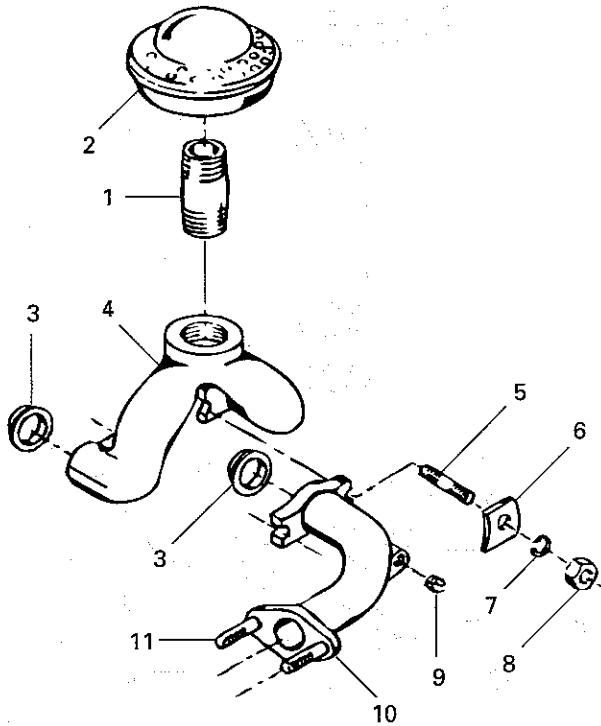
USE WITH MODELS TE, TF, THD, TJD



ITEM	PART NO.	DESCRIPTION	QTY	ITEM	PART NO.	DESCRIPTION	QTY
1	WD66AS2	Muffler, for 1" pipe tap (LD226) (replaces WD35) .....	2	1	WD98S5	Muffler (WD98) .....	1
2	PD9	Nut, 1/4"-28 thread (LD226) .....	4	2	LJ192	Pipe nipple, 1-1/4" x 4-1/2" long (for open engine) ...	1
3	PE3	Lock washer, 1/4" (LD226) .....	4	—	LJ188	Pipe nipple, 1-1/4" x 6" long (for engine covered with sheet metal house) .....	1
4	PC405	Stud (LC261A, LD226) .....	4	3	LD242	Exhaust manifold .....	1
5	LC261A	Inlet manifold .....	1	4	QB75	Manifold mounting gasket .....	3
6	QB77	Upper to lower branch manifold gasket (LC261A, LD226) .....	2	5	LC266A	Inlet manifold .....	1
7	LD226	Exhaust manifold .....	2	6	PE4	Lock washer, 5/16" .....	2
8	XK12	Plug, 1" pipe (LD226) .....	2	7	XK1	Pipe plug, 1/8" square .....	1
				8	PD206	Nut, 3/8"-24 thread (Seez-proof) .....	2
				9	PE5	Lock washer, 3/8" .....	2
				10	PC110	Stud, 3/8"-16, 24 thread x 2-1/8" long .....	2
				11	PH356	Clamp washer .....	2

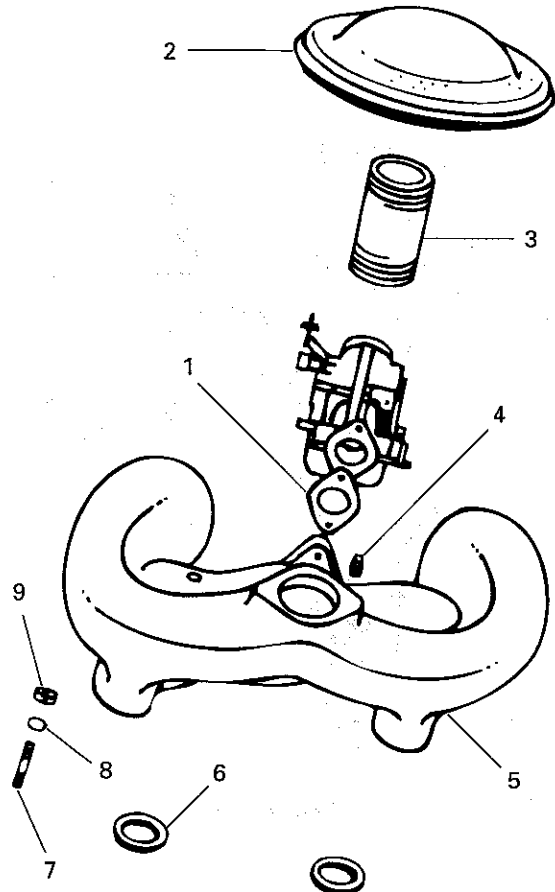
## LC285S1 (LDA121) Manifold

USE WITH MODEL W2-880



## LD240, LD240-1, LD240C Manifolds

USE WITH MODEL VG4D



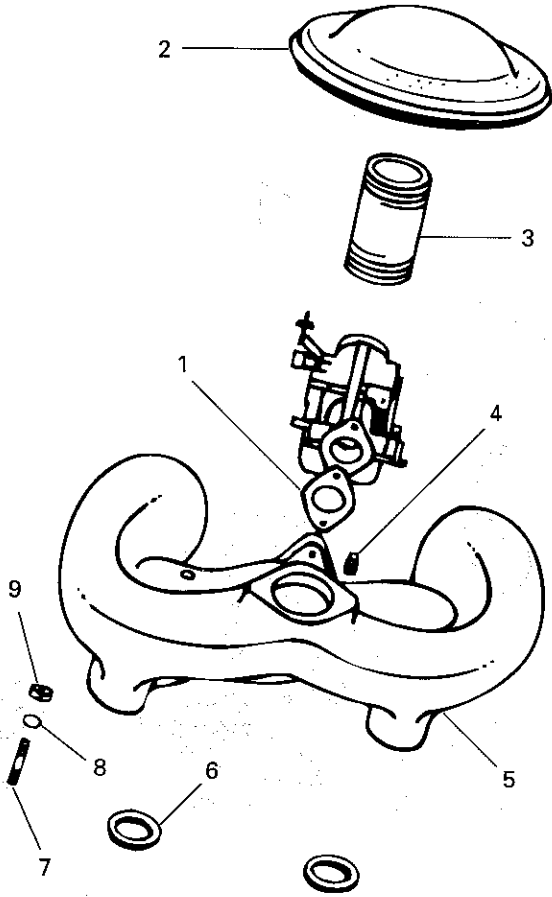
ITEM	PART NO.	DESCRIPTION	QTY
1	LJ192	Pipe nipple, 1-1/4" x 4-1/2" long	1
2	WD98SS	Muffler (WD98)	1
3	QB75	Manifold to cylinder block gasket	3
4	LD242	Exhaust manifold	1
5	PC110	Stud	2
6	PH356	Washer	2
7	PE5	Lock washer, 3/8"	2
8	PD206	Seez-proof nut, 3/8"-24 thread	2
9	XK1	Plug, 1/8" pipe	1
10	LC285S1	Intake manifold assembly (includes 9, 11)	1
11	PC549	Stud	2

ITEM	PART NO.	DESCRIPTION	QTY
1	QC12A	Carburetor flange gasket	1
2	WD101S5	Muffler, standard (for 1-1/4" pipe)	1
3	LJ161	Nipple, 1-1/2" x 2" long	1
4	XK1	Plug, 1/8" pipe	1
5	LD240	Inlet and exhaust manifold, vertical (for open engines)	1
—	LD240-1	Manifold for power units	1
—	LD240C	Inlet and exhaust manifold, horizontal exhaust outlet	1
6	QB83	Manifold to cylinder block gasket	6
7	PC615	Stud	4
8	PH79A	Washer, 7/16"	4
9	PD207	Seez-proof nut, 7/16"-20 thread	4



## LD253, LD253-1, LD253-14 Manifolds

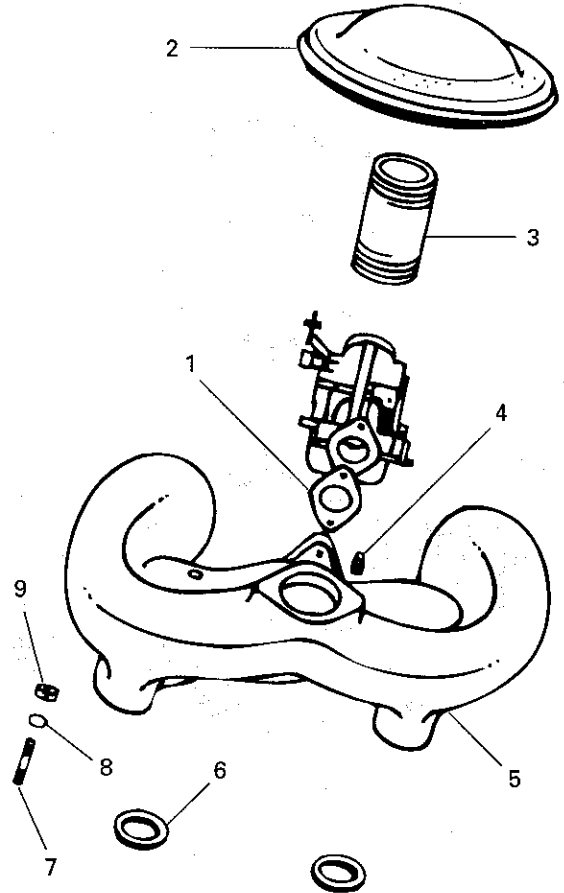
USE WITH MODEL VH4D



ITEM	PART NO.	DESCRIPTION	QTY
1	QC71A	Carburetor flange gasket.....	1
2	WD98S5	Muffler, standard (for 1-1/4" pipe) .....	1
3	LJ184	Nipple, 1-1/4" x 2-1/2" long.....	1
4	XK1	Plug, 1/8" pipe .....	1
5	LD253	Intake and exhaust manifold, vertical (for open engine).....	1
—	LD253-14	Horizontal exhaust manifold....	1
—	LD253-1	Manifold for power unit (includes 1/4"-20 taps for support straps) .....	1
6	QB75	Manifold to cylinder block gasket.....	6
7	PC406	Stud .....	4
8	PH22A	Washer, 3/8" .....	4
9	PD206	Seez-proof nut, 3/8"-24 thread .....	4

## LD253L Manifold

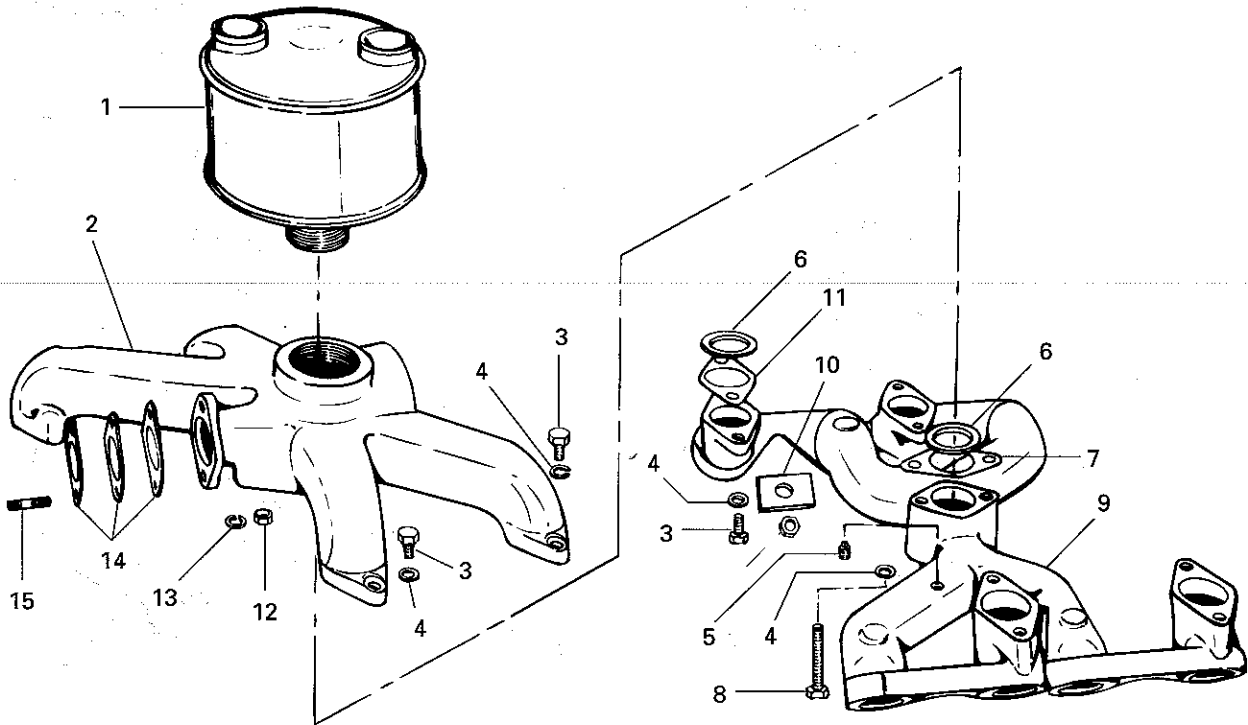
USE WITH MODEL W4-1770



ITEM	PART NO.	DESCRIPTION	QTY
1	QC12A	Carburetor flange gasket.....	1
2	WD98S5	Muffler, standard (for 1-1/4" pipe tap) .....	1
3	LJ184	Nipple, 1-1/4" x 2-1/2" long.....	1
4	XK1	Plug, 1/8" pipe .....	1
5	LD253L	Intake and exhaust manifold, vertical exhaust outlet .....	1
—	LD253L6	Intake and exhaust manifold, horizontal exhaust outlet (not illustrated) .....	1
6	QB75	Gasket .....	6
7	PC406	Stud, 3/8"-16, 24 thread x 1-5/8" long .....	4
8	PH22A	Washer, 3/8" .....	4
9	PD206	Seez-roof nut, 3/8"-24 thread .....	4

## LD257CS1, LD258DS1 Manifolds

USE WITH MODELS V460D, V461D, V465D



ITEM	PART NO.	DESCRIPTION	QTY	ITEM	PART NO.	DESCRIPTION	QTY
1	WD58A	Exhaust muffler .....	1	9	LD257CS1	Lower manifold assembly, inlet (includes 3, 5) (replaces LD257AS1, LD257BS1) .....	1
2	LD258DS1	Upper exhaust manifold assembly (includes 3,8) (replaces LD258BS1) .....	1	10	PH484	Clamp washer .....	4
3	XD17B	Screw, 5/16"-18 thread x 7/8" long (S.A.E. grade 5) .....	8	11	QC67	Exhaust gasket .....	4
4	PH501	Washer .....	10	12	PD205	Seez-proof nut, 5/16"-24 thread .....	2
5	XK1	Pipe plug, 1/8" square .....	1	13	PE4	Lock washer, 5/16" .....	2
6	QB85	Insert bushing, 1-3/8" I.D. x 1-3/4" O.D. ....	5	14	QC12A	Carburetor flange gasket .....	3
7	QC70	Manifold gasket .....	1	15	PC171	Stud, 5/16" x 1-5/16" long .....	2
8	XD162	Screw, 5/16"-18 thread x 2-1/2" long (S.A.E. grade 8) (replaces PC171) .....	2	—	SA10	Welch plug .....	1